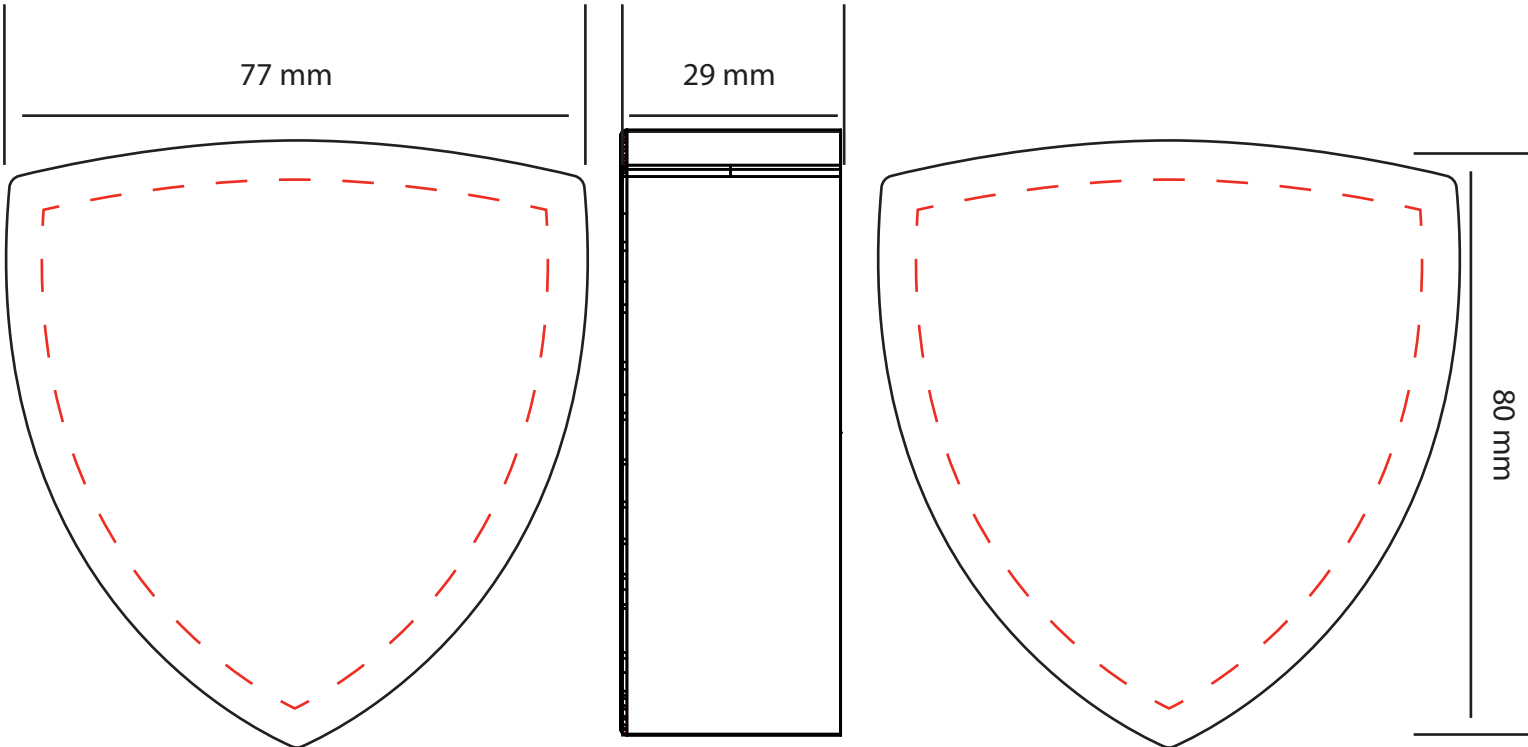


SHIELD PRINT TEMPLATE



DOTTED LINE INDICATES MAX PRINT AREA

Every effort is made on our behalf to ensure artwork is accurate and suitable for the required product. Unless otherwise stated all artwork will be sized to the maximum print area of the product. We should remind you that the final checking must rest with you and/or your client. Corrections not found at this stage can only be rectified at your expense. This is a visual guide only - colours and sizes may not be true to finished items. Thank you for your co-operation.

Order No.