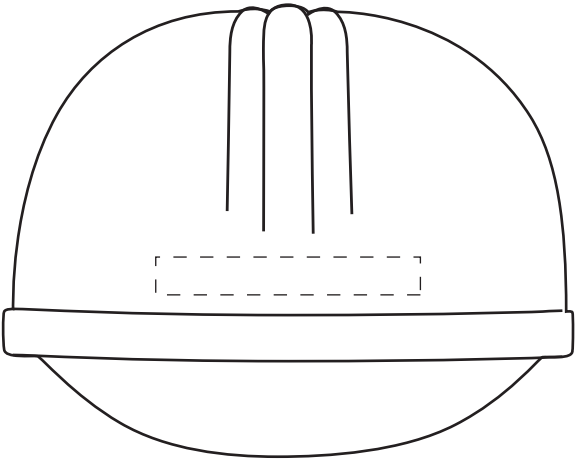
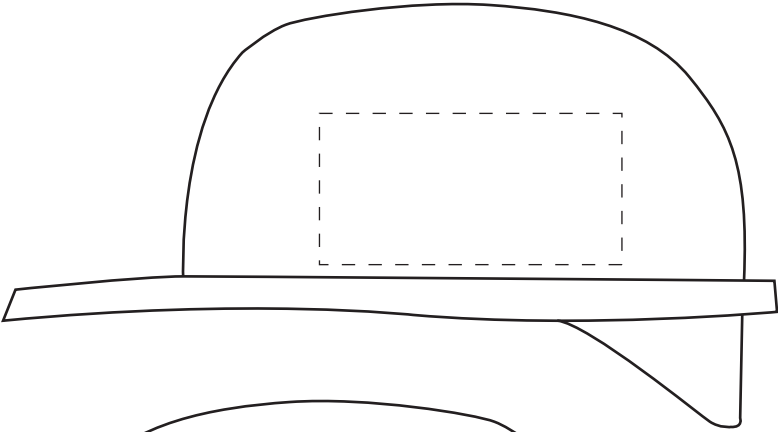


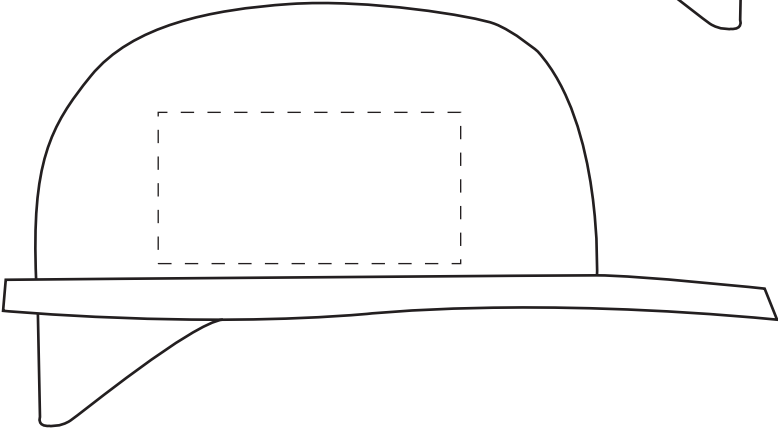
HARD HAT PRINT TEMPLATE



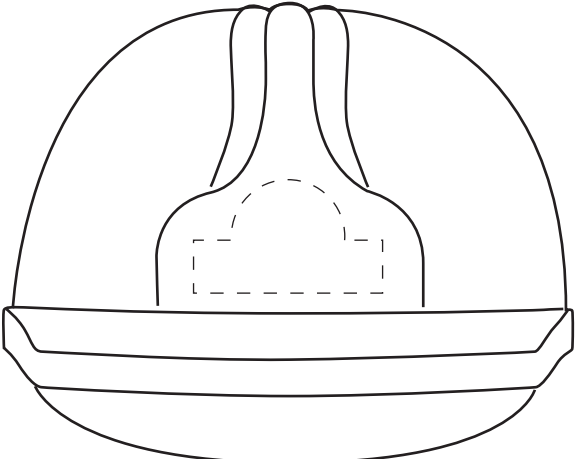
35 mm
5 mm



40mm
20 mm



40mm
20 mm



7.5 mm radius
7 mm
25 mm